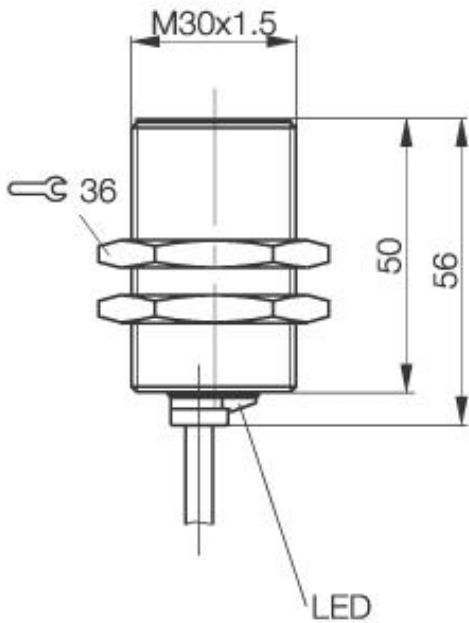


**Inductive Sensors**  
**BES M30MI-NSC10B-BV03**  
**M30x1.5 x 56**  
**normally-open**  
**Sn=10mm**  
**shielded**



PX0499

**Common Data**

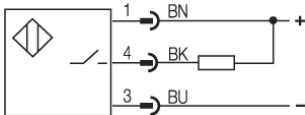
|                                |             |
|--------------------------------|-------------|
| Product name                   | Black Line  |
| Mounting in steel              | shielded    |
| Rated operating distance Sn    | 10mm        |
| Assured operating distance Sa  | 0...8.1mm   |
| Repeatability R                | ≤ 5%        |
| Hysteresis                     | ≤ 15%       |
| Function indication            | yes         |
| Ambient temperature range      | -25...+70°C |
| Polution Degree                | 3           |
| Time delay before availability | ≤ 10ms      |

**Mechanical Data**

|                                                 |                       |
|-------------------------------------------------|-----------------------|
| Measurements BxHxT or DxT                       | M30x1.5 x 56mm        |
| Housing material                                | Nickel plated brass   |
| Material of sensing face                        | PA 12                 |
| Degree of protection                            | IP68 acc. BWN Pr 20IP |
| Connection                                      | Cable                 |
| Cable type                                      | LiYY-O                |
| Schock: Halfsinus, 30 gn, 11ms                  |                       |
| Vibration: 55 Hz, 1mm Amplitude, 3 x 30 Minutes |                       |

**Electrical Data**

|                                     |               |
|-------------------------------------|---------------|
| Current type                        | DC            |
| Wiring                              | 3-Wire        |
| switching function                  | normally-open |
| Output signal                       | NPN           |
| Rated operational voltage           | 24 DCV        |
| Rated operational current           | 200mA         |
| Supply voltage                      | 12...30 DCV   |
| Ripple                              | ≤ 15%         |
| max. switching frequency            | 400Hz         |
| No-load supply current              | ≤ 10mA        |
| Off-state current                   | ≤ 20µA        |
| Voltage drop                        | ≤ 2.5/-V      |
| Short circuit protection            | yes           |
| Protected against polarity reversal | yes           |



Utilization categories  
 Insulation class

DC 13  
 II

Datasheet number:

Definitions see general catalog.  
 If not otherwise noted, ratings according to  
 IEC 60947-5-2 (DIN EN60947-5-2)

Balluff GmbH  
 Schurwaldstrasse 9  
 73765 Neuhausen a.d.F.  
 Phone (07158) 173-0 Fax (07158) 5010

Datenblatt by CD-ROM - 04/2007

**BALLUFF**  
 sensors worldwide